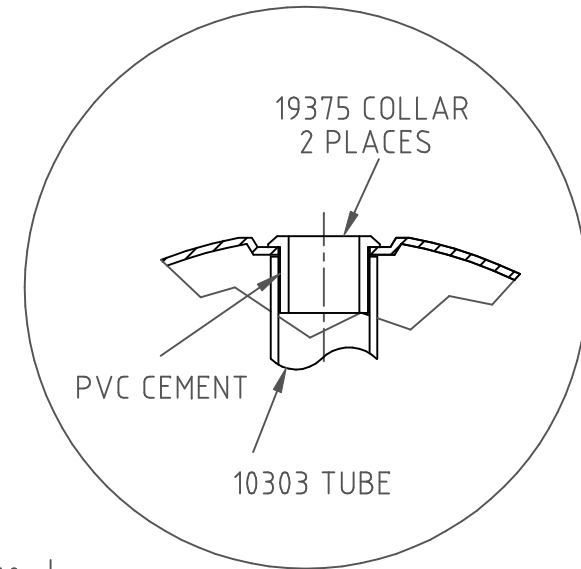
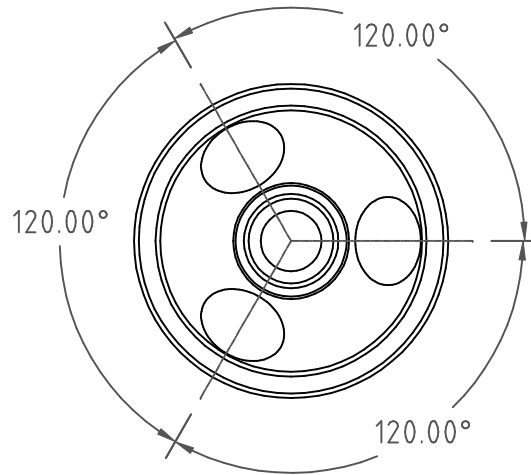


© DEN HARTOG INDUSTRIES, INC.

FFMB-1212

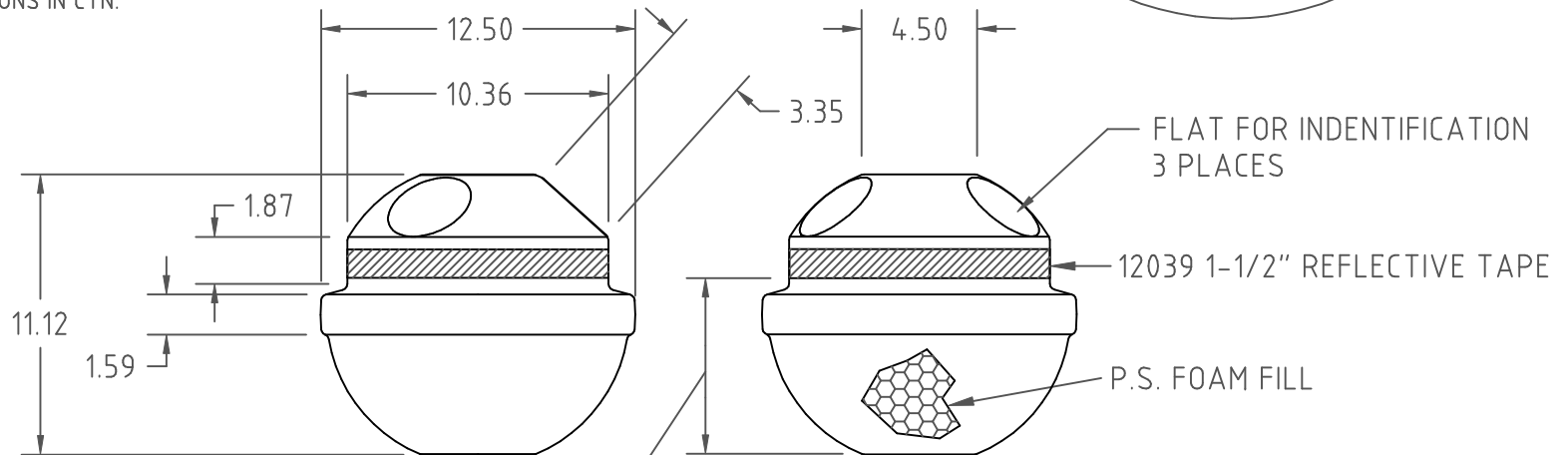
A

Copyright. All information furnished within this document, electronic file or design correspondence is the property of Den Hartog Industries, Inc. and shall not be used, disclosed to others or copied without the expressed written consent of Den Hartog Industries, Inc.



NOTES:

1. SHIPPING WEIGHT = 4 LB.
2. SHIP IN CTN. 12051
3. ADD 19396 INSTRUCTIONS IN CTN.



Ⓐ BUOYANCY TO TAPE = 12.5 LBS.

				DRAWN / DATE REH/04/14/05	SHOT WEIGHT: 2.1 LB. (.125 WALL)
A	ADDED USEABLE BUOYANCY	3/28/08 DHJ	CCN1638	APPRD. / DATE DHJ/04/14/05	
REV	DESCRIPTION	DATE			
ALL DIMENSIONS ARE IN DECIMAL INCHES TOLERANCES UNLESS OTHERWISE SPECIFIED ± .5% @ 68° F				THIRD ANGLE PROJECTION ANSI 14.5M 	MATERIAL: 10948 WHITE P.E.

<p>Ace Roto-Mold A DIVISION OF DEN HARTOG INDUSTRIES, INC. 4010 HOSPERS DRIVE S., BOX 425, HOSPERS, IOWA 51238</p>	
CLIENT / DESCRIPTION BUOY, 12" DIA.	
SCALE N.S.	PART NO. FFMB-1212