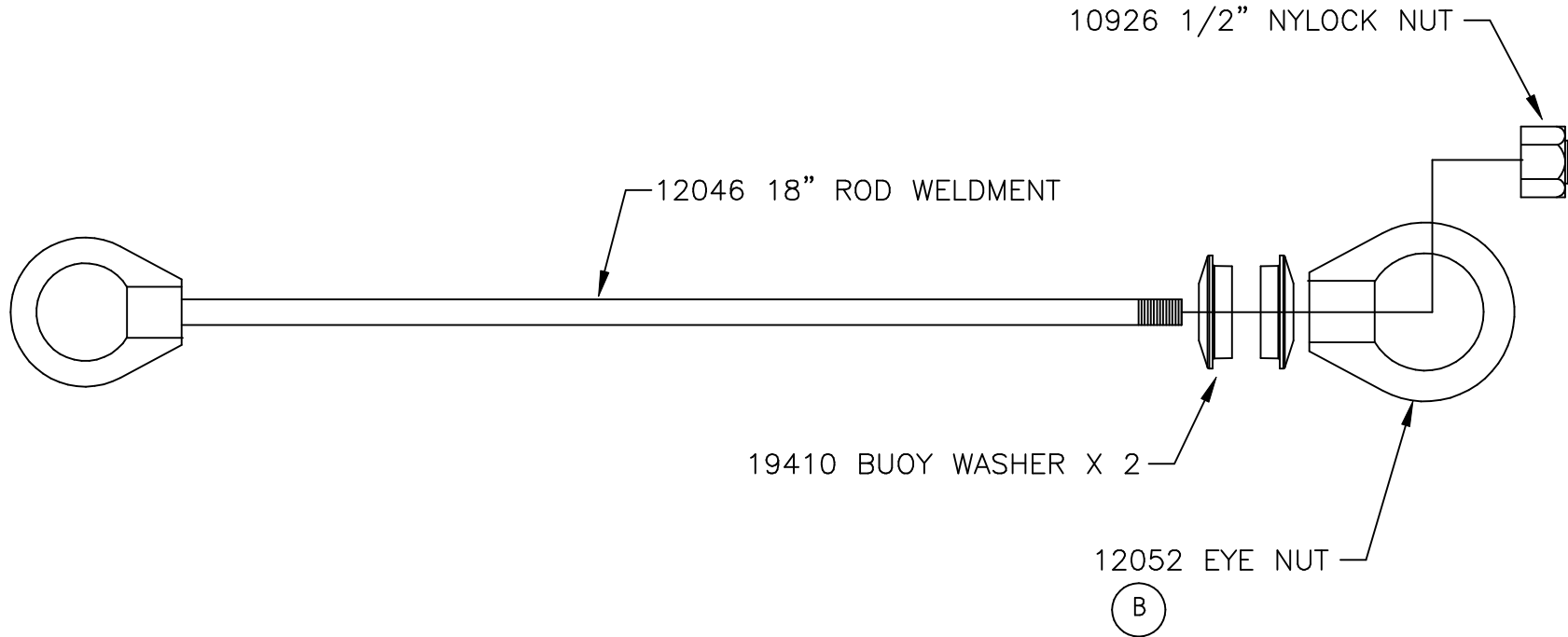


PROPRIETARY DATA


PROPERTY OF ACE ROTO-MOLD MFG., INC. INFORMATION FURNISHED HEREIN IS THE PROPERTY OF ACE ROTO-MOLD MFG., INC. AND SHALL NOT BE USED, DISCLOSED TO OTHERS, OR COPIED WITHOUT THE EXPRESSED WRITTEN CONSENT OF ACE ROTO-MOLD MFG., INC. ALL RIGHTS RESERVED.

FFMB-18F

B



				DRAWN / DATE		MATERIAL
B	12052 WAS 12038	8/2/06	REH	REH 12/20/05		
A	CHANGED FLAT TO BUOY WASHER	6/7/06	NVE	APPRD. / DATE	REH 12/20/05	CLIENT / DESCRIPTION
REV	DESCRIPTION	DATE	APPRD			
ALL DIMENSIONS ARE IN DECIMAL INCHES TOLERANCES UNLESS OTHERWISE SPECIFIED ± 1% @ 68° F				THIRD ANGLE PROJECTION ANSI 14.5M 		NOTES: 1. Finish with galvanized dip 2. Ship Kit in Carton 12047



**ACE ROTO-MOLD**  
A DIVISION OF DEN HARTOG INDUSTRIES, INC.  
4018 HWY. 60 BLVD, BOX 421, HOSPERS, IOWA 51238

18" BUOY HARDWARE KIT

SCALE	N.S.	PART NO.	FFMB-18F
-------	------	----------	----------