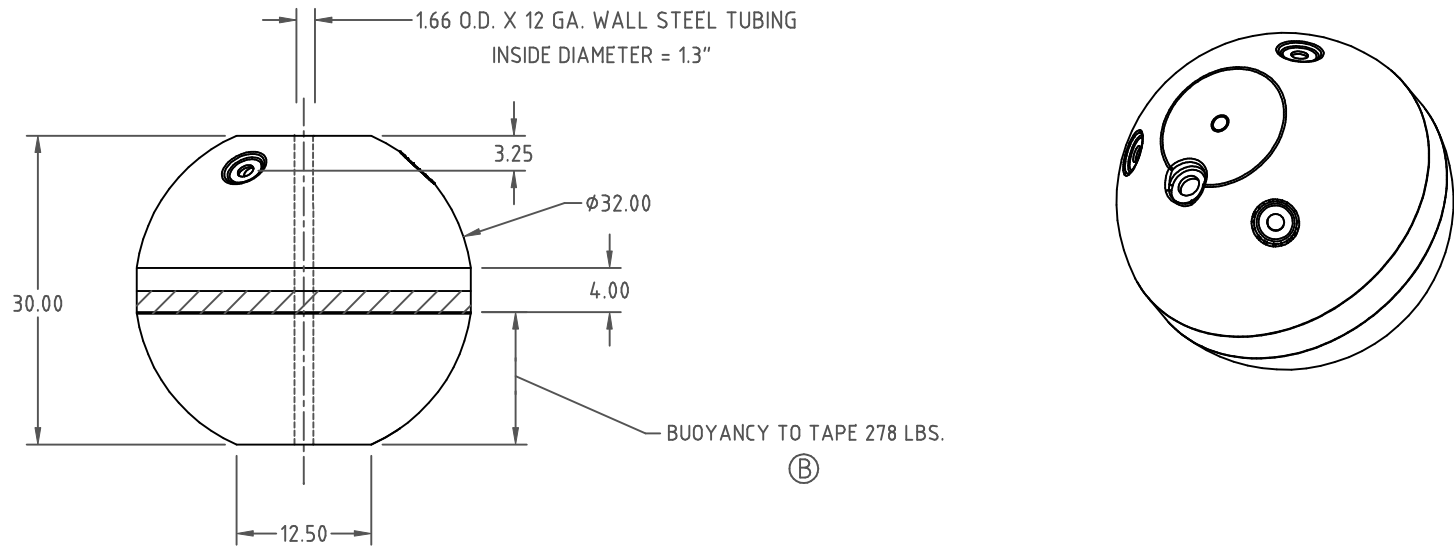

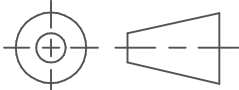


NOTES:

- 1. SHIPPING WEIGHT = 41 LB.
- 2. SHIP IN CARTON 19147



| | | | | | | | |
|------------------------------------------------------------------------------------------------|---------------------------|--------------|---------|-----------------------------------------------------------------------------------------------------------------------------|--------------------------------|--------------------------------------------------------------------------------------------------------------------------------------------------------------------------------------------------------------------------|---------------------------|
| C | CHANGED P.N. | 10/27/10 REH | CCN2106 | DRAWN / DATE | MATERIAL / SHOT WEIGHT |  <p>Ace Roto-Mold A DIVISION OF DEN HARTOG INDUSTRIES, INC. 4010 HOSPERS DRIVE SOUTH, BOX 425, HOSPERS, IA 51238</p> | |
| B | ADDED USEABLE BUOYANCY | 3/28/08 DHJ | CCN1638 | REH/2/10/03 | | | E/M 8460, WHITE 26 LB. |
| A | SHAFT CUT FLUSH WITH ENDS | 5/20/03 | | APPRD. / DATE | CLIENT / DESCRIPTION | | |
| REV | DESCRIPTION | DATE | APPRD | DHJ/2/10/03 | | BUOY, 32" DIA. | |
| ALL DIMENSIONS ARE IN DECIMAL INCHES TOLERANCES UNLESS OTHERWISE SPECIFIED ± .5% @ 68° F | | | | THIRD ANGLE PROJECTION ANSI 14.5M  | NOTES: 1. NOMINAL WALL .225 | SCALE DOES NOT APPLY | PART NO. FFMB-3232RND |