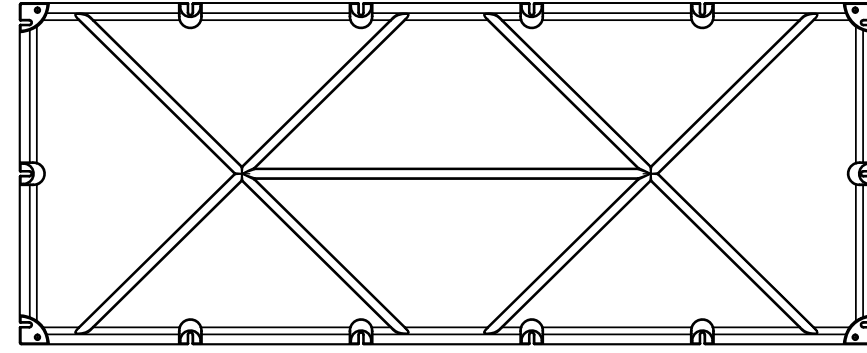
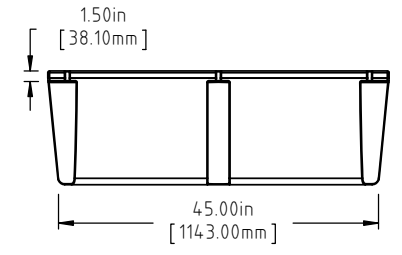
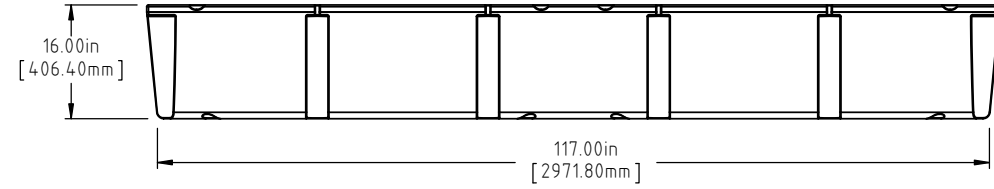
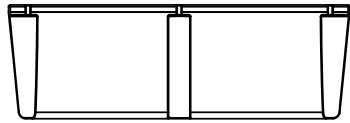
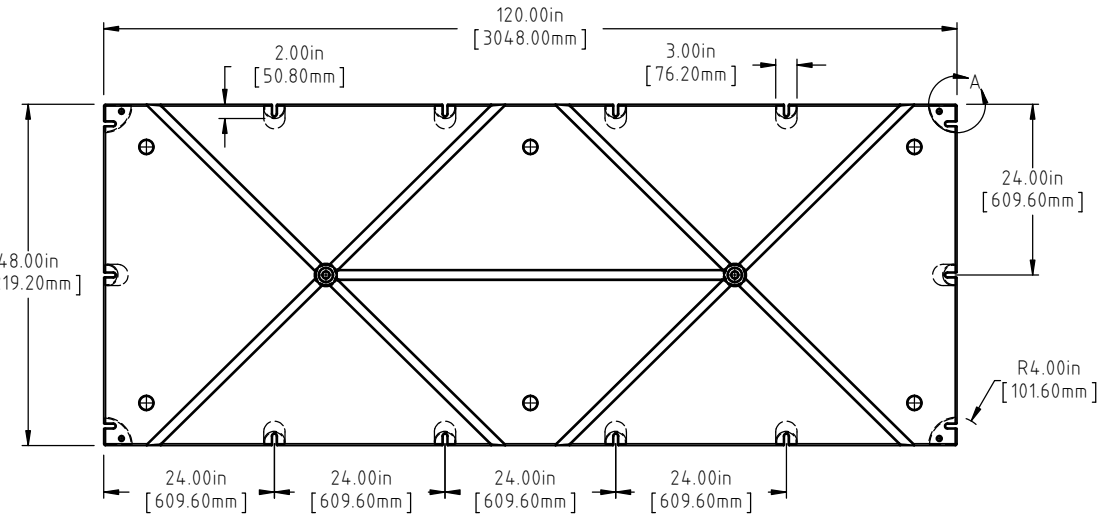
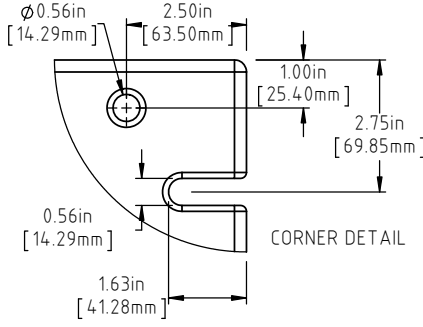


© DEN HARTOG INDUSTRIES, INC.


Copyright. All information furnished within this document, electronic file or design correspondence is the property of Den Hartog Industries, Inc. and shall not be used, disclosed to others or copied without the expressed written consent of Den Hartog Industries, Inc.

48120-16



BUOYANCY = 3020 LBS (1370 KG.)

REV	DESCRIPTION	BY / DATE	CCN	DRAWN / DATE ADH 6/4/15	MATERIAL POLYETHYLENE
				APPRD. / DATE REH 7/1/15	
	ALL DIMENSIONS ARE IN DECIMAL INCHES TOLERANCES UNLESS OTHERWISE SPECIFIED	THIRD ANGLE PROJECTION ANSI 14.5M	SHOT WEIGHT: 92 LBS.	NOTES: 1.) .150IN (3.8mm) NOM. WALL	
	POLYETHYLENE		SHIPPING WEIGHT: 143 LBS.		
	±1% @ 68°F		FINISH:		



Den Hartog
INDUSTRIES, INC.

Ace Roto-Mold Injection Molding Blow Molding Sowjoy

4010 HOSPERS DRIVE S. BOX 425, HOSPERS, IOWA 51238-0425

DESCRIPTION	48 X 120 X 16 FLOAT	
SCALE	N.S.	PART NO. 48120-16