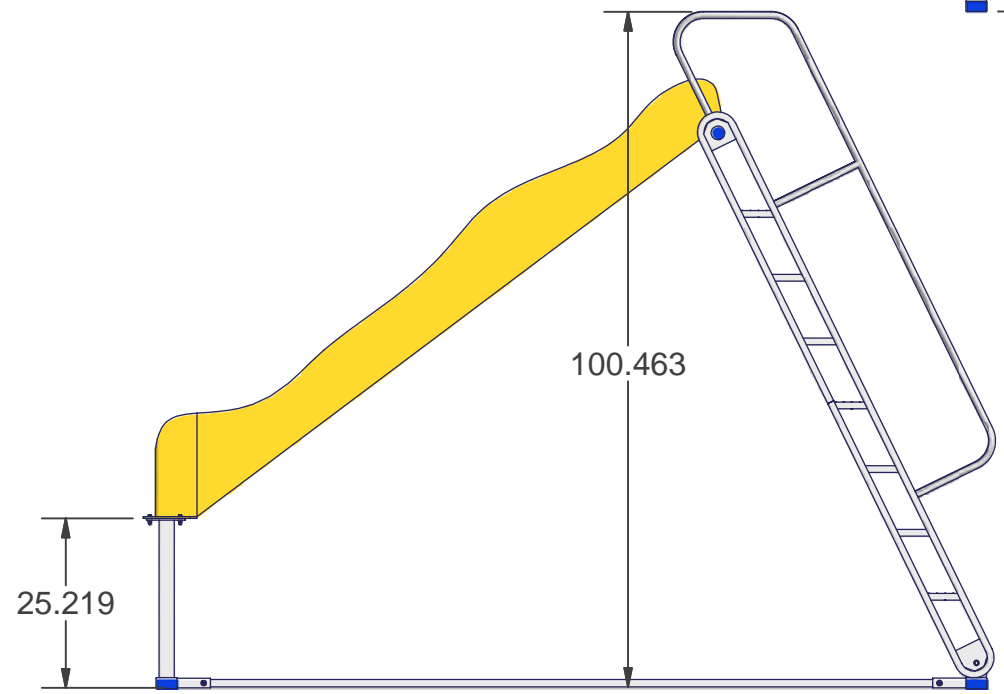
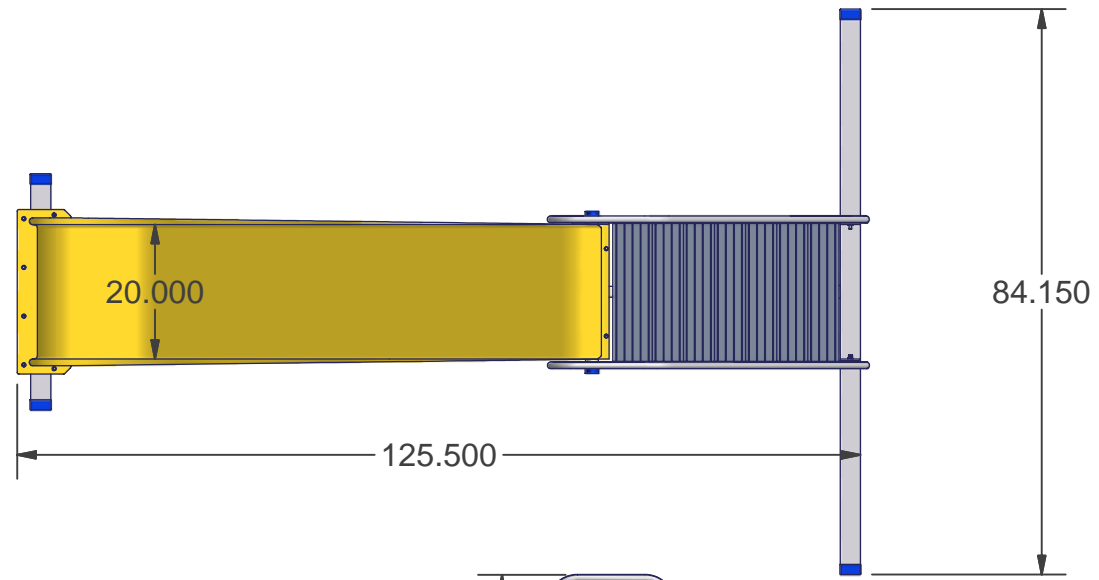


REV.

CONFIDENTIAL



Sheet: 1

ALUMINUM BOAT LIFTS, DOCKS AND ACCESSORIES
SHOREMASTER
 BY SHOREMASTER ENGINEERING
 P.O. BOX 358
 FERGUS FALLS, MN 56538-0358
 1-800-328-8945

REV	DESCRIPTION	APPR'D	DATE	ECO #
--	PRODUCTION RELEASE			

PART NAME: SLIDE FREE STANDING	
DRAWN BY: twsmith	DATE 3/7/2005
PART NUMBER: 430005440	REFERENCE:
DWG : SLIDE Dimensions OFF DECK.idw	