

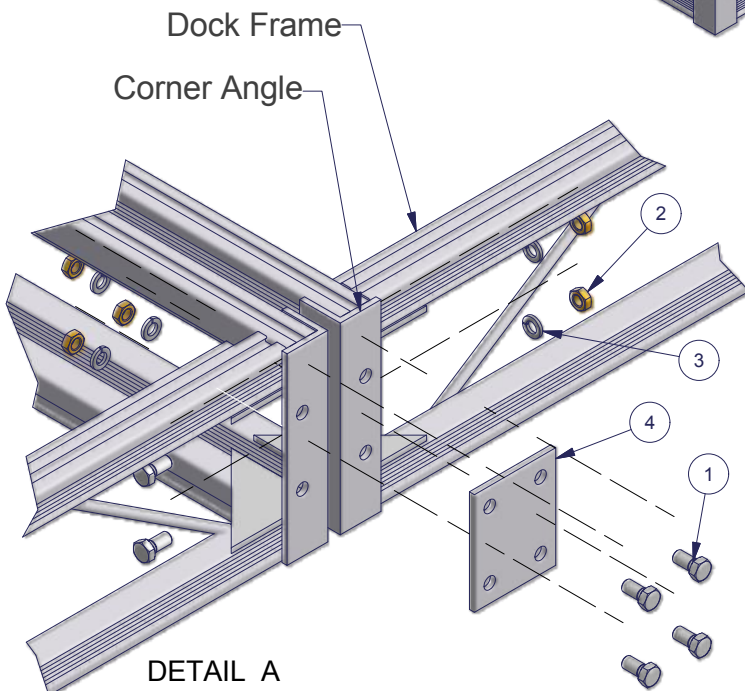
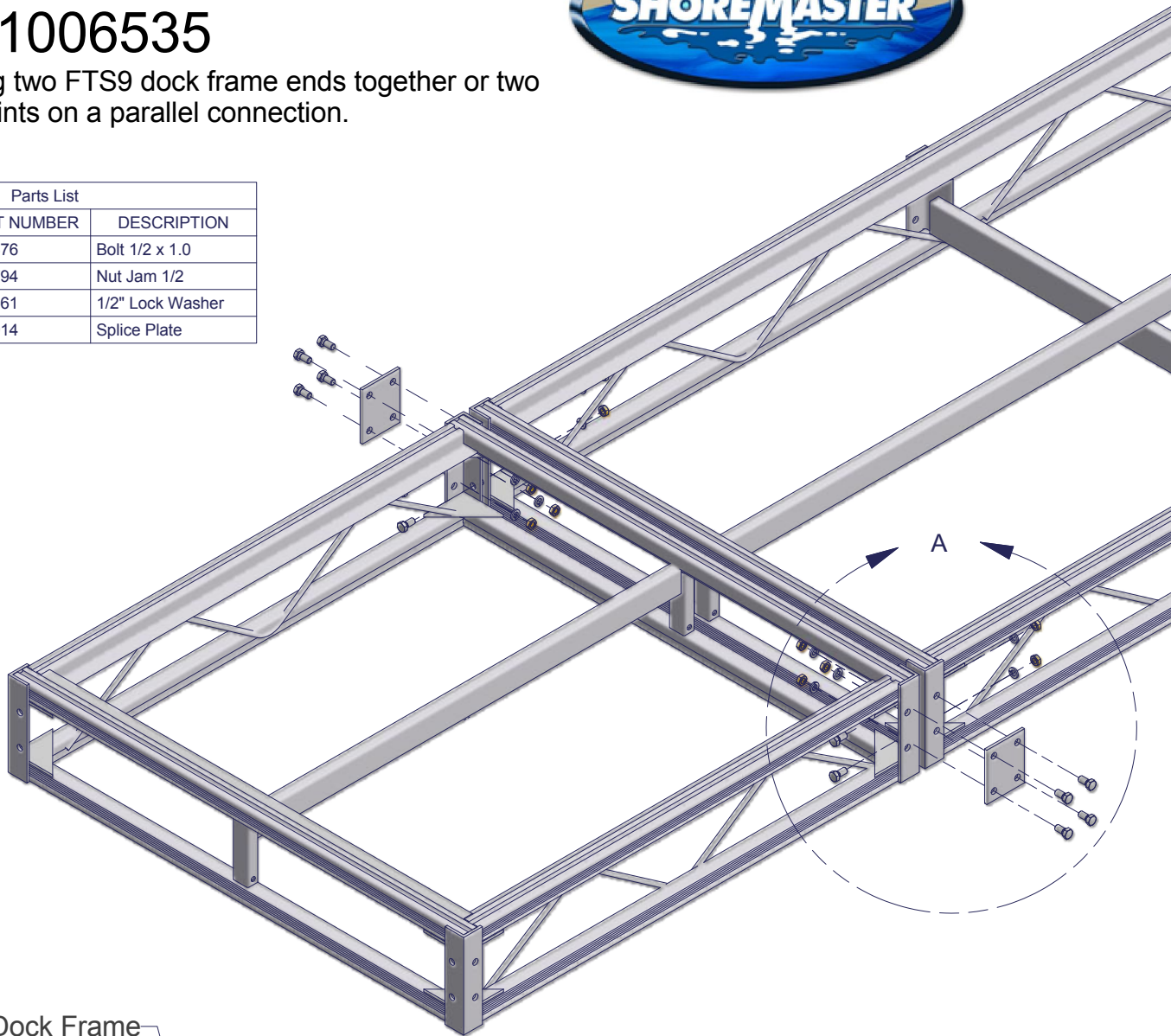
# FTS9 Frame Connection Kit

## Part #: 1006535



For Connecting two FTS9 dock frame ends together or two connection points on a parallel connection.

Parts List			
ITEM	QTY	PART NUMBER	DESCRIPTION
1	12	1002376	Bolt 1/2 x 1.0
2	12	1001794	Nut Jam 1/2
3	12	1002561	1/2" Lock Washer
4	2	1002914	Splice Plate



### Assembly:

Attach two dock frames together by thru-bolting the adjacent angles with two Bolts 1/2 x 1.0, two Lock Washers 1/2 and Nuts Jam 1/2.

Secure one Splice Plate to the side of the Corner Angle of the two dock frames with four Bolts 1/2 x 1.0, four Lock Washers 1/2 and four Nuts Jam 1/2 at each connection point - as shown in Detail "A."

### Parallel Frame Connections:

4 x 8 and 6 x 8 frames to have three connection points total.  
4 x 16 frames have five connection points total (minimum of four must be connected).